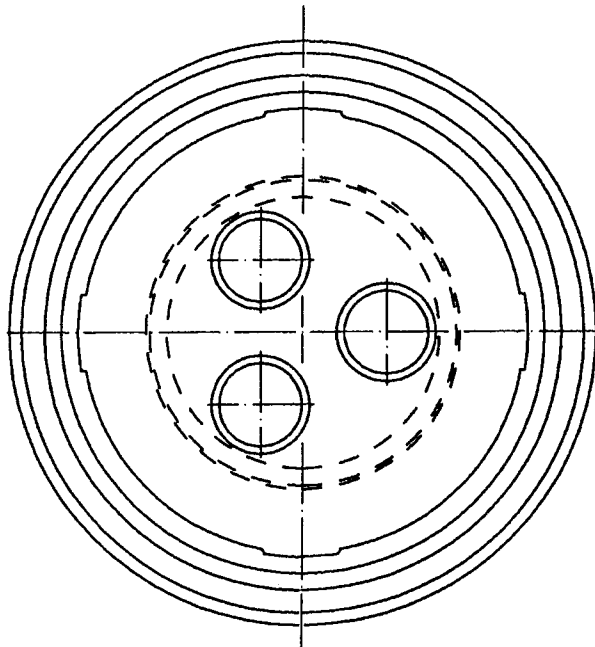
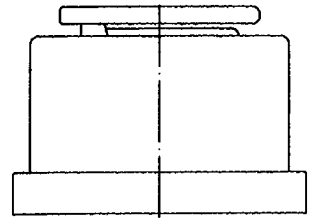
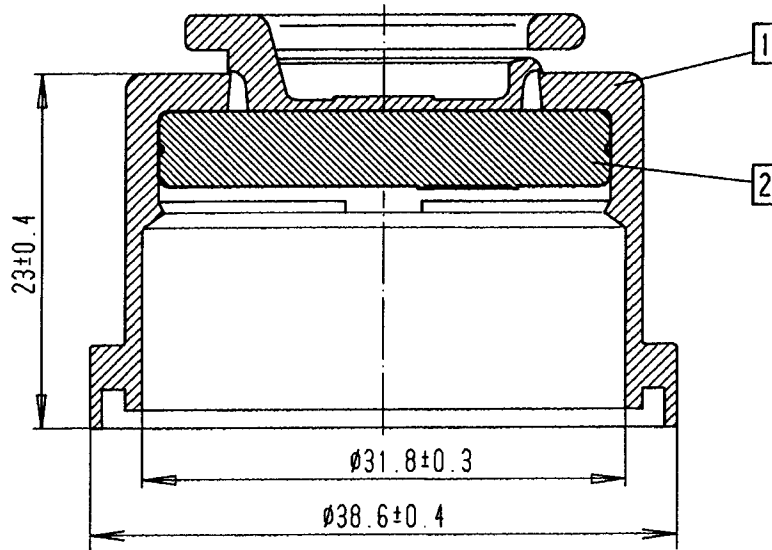


DESCRIPTION: Bottle-Pack Cap CUSTOMER DRAWING PRODUCT NUMBER: BPC31.0001
 Product Number old: BP3171 (HPD)

scale 1:1



PARTS LIST	pos.	ref.no.	description	material	remarks	MODIFICATION			
							index	modification	date
	2	V7702 FM503/0	rubber-disc	rubber					
	1	BPC32.0001	bottle-pack cap	PE		A	first drawing	15.03.05	Gilpert

DRAWING	TRACED: Gilpert DATE: 15.03.05 CHECKED DATE 15.03.05 SIGNATURE: <i>[Signature]</i> SCALE: 2:1,1:1		
	DERIVED FROM DRAWING BP3171 (HPD) DATED 12.09.02		FILE-REF. (CAD-no.) A1068K
	REPLACES PRODUCT DRAWING -----	DATED -----	MATERIAL: -----
VALIDITY	VALID DATE 15.03.05		AUTHORIZED by <i>[Signature]</i>
	SIGNATURE <i>[Signature]</i>		

This drawing is the property of Helvoet Pharma and may be not be copied nor disclosed to third parties without our written consent.
 Dimensions without tolerance indication correspond to ISO 2768 m. Cut or punched edges can be slightly conical, excentric and/or variable.